

Hydrophone 2

High Performance Plastic/Trunk Main Sensor

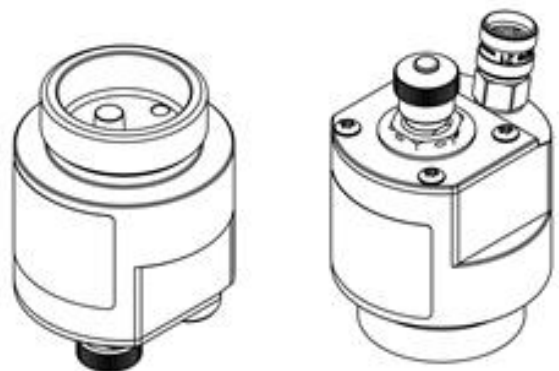
Our all-new Hydrophone 2 is an advanced leak noise sensor that is proven to deliver significantly increased performance on plastic pipes and trunk mains.

Extremely sensitive, and ideal for detecting low frequency leak noise, Hydrophone 2 excels in difficult larger diameter and non-metallic pipelines.



Key Features and Benefits

- **High performance:** increased leak detection and correlation performance over long pipe lengths, larger diameter and non-metallic pipes
- **Sensitive:** highly sensitive to low frequency noise
- **Advanced:** all new sensor and amplification circuitry provides a step change in performance on plastic and trunk mains
- **Accurate:** allows leaks to be detected and pinpointed in situations where standard accelerometers will not
- **Versatile:** screws directly into Aptlas/boundary box fittings: compatible with a range of hydrant adapters and other pressure-enabled fittings
- **Compliant:** DWI reg 31 approved
- **Compatibility:** compatible with Touch Pro correlators and PermaNET+ acoustic loggers
- **Pressure monitoring:** includes additional push-fit pressure monitoring point as standard

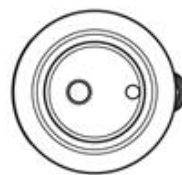
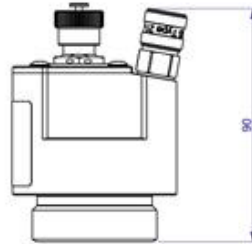
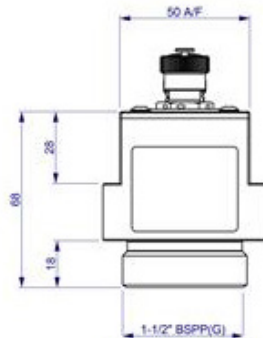
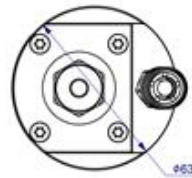
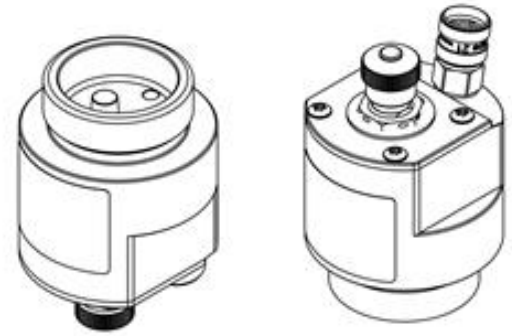


MONITORING ASSETS, DELIVERING DATA, BRINGING CONTROL

Hydrophone 2

High Performance Plastic/Trunk Main Sensor

Operating Temperature	-20 to 60°C (-5 to 140°F)
Storage Temperature	-40 to 60°C (-40 to 140°F)
Ingress Protection	IP68
Unit Gross Weight	1.054kg (2lb 3oz)
Safety Tested	to 25Bar
Life in Service	+5 years
Material: Body	Stainless Steel 316 - DWI regulation 31
Material: Sensor	Araldite DFB/HY951 - BS 6920:2014



All images, text and designs are protected by international and UK copyright law and remain the property of HWM. It is against the law to copy or use any of the content from HWM website or literature without the written consent of HWM. HWM Ltd. reserve the right to vary the specification.



Fluid Conservation Systems

1960 Old Gatesburg Road STE 150
State College, PA 16803

Tel: (800)531-5465

Email: sales@fluidconservation.com

Web: www.fluidconservation.com

MONITORING ASSETS, DELIVERING DATA, BRINGING CONTROL